

Quick Setup Guide

Guide d'installation rapide
Guía de configuración rápida

To register this product please visit www.samsung.com

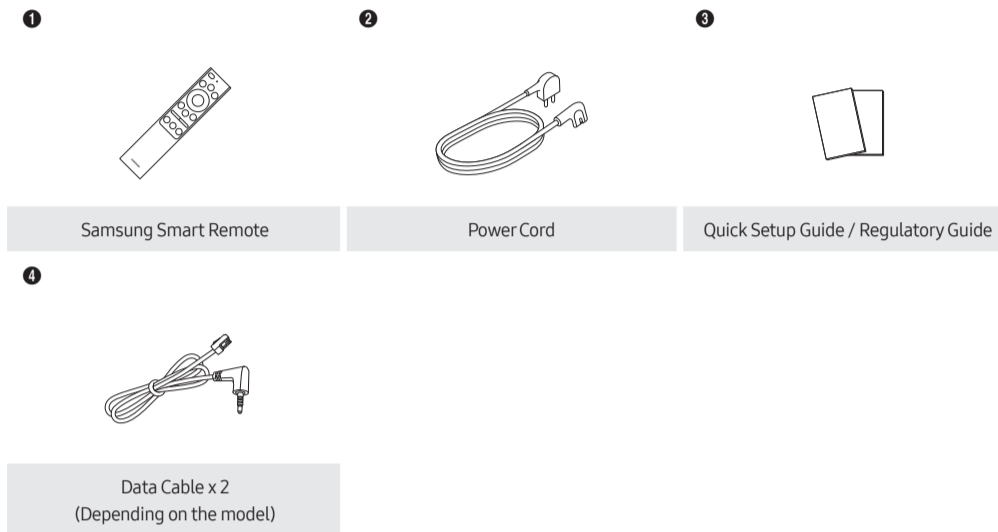


BN68-12885E-01



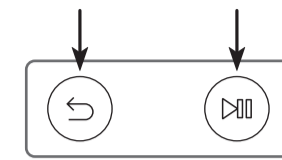
1. List of Parts

- The provided accessories may vary depending on the model.



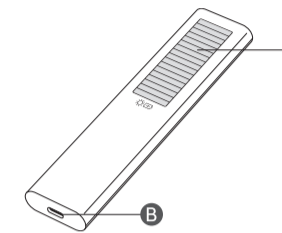
2. The Samsung Smart Remote

Pairing the TV to the Samsung Smart Remote



When you turn on the TV for the first time, the Samsung Smart Remote pairs to the TV automatically. If the Samsung Smart Remote does not pair to the TV automatically, point it at the remote control sensor of the TV, and then press and hold the buttons labeled 1 and 2 as shown in the figure on the left simultaneously for 3 seconds or more.

Charging the battery



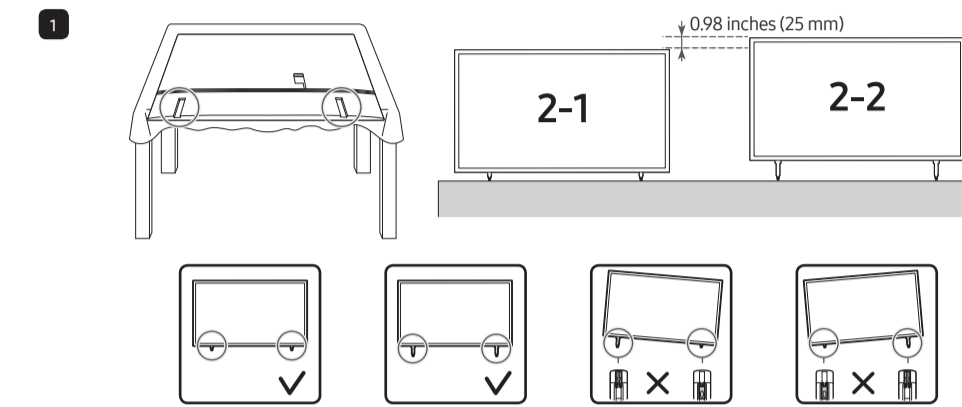
- A Solar Cell**
When exposed to light (indoor light), the battery is charged.
- B USB port (C-type) for charging**
The LED lights while charging. When fully charged, the LED turns off.
 - The USB Cable is not provided.

- It is recommended to use an original Samsung charger. Otherwise, it may cause performance degradation or failure of the product. In this case, the warranty service is not applicable.
- When the remote control does not work due to low battery, charge it by using the USB-C type port.

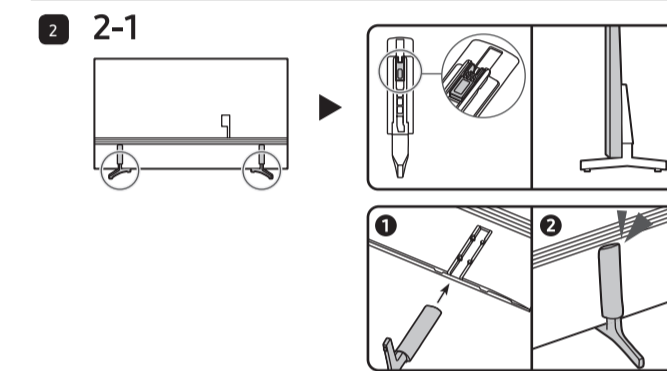
3. Installing the LED TV Stand

Assembling the Stand and Components

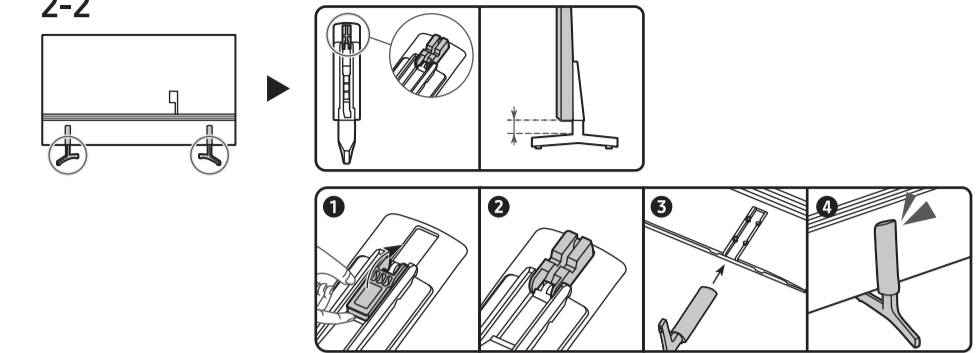
When installing the stand, use the provided components and parts.



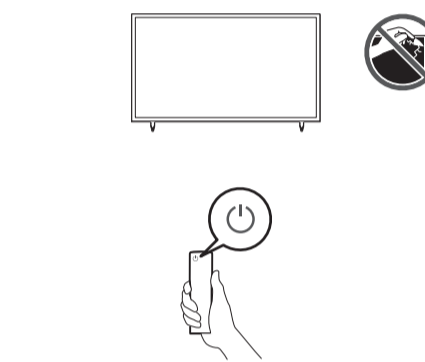
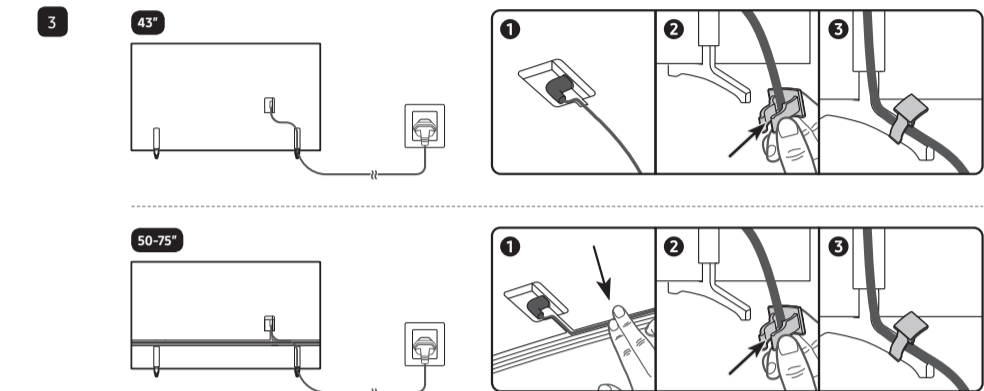
- Place a soft cloth over the table to protect the TV, and then place the TV so that its screen faces down toward the table surface.



2-2

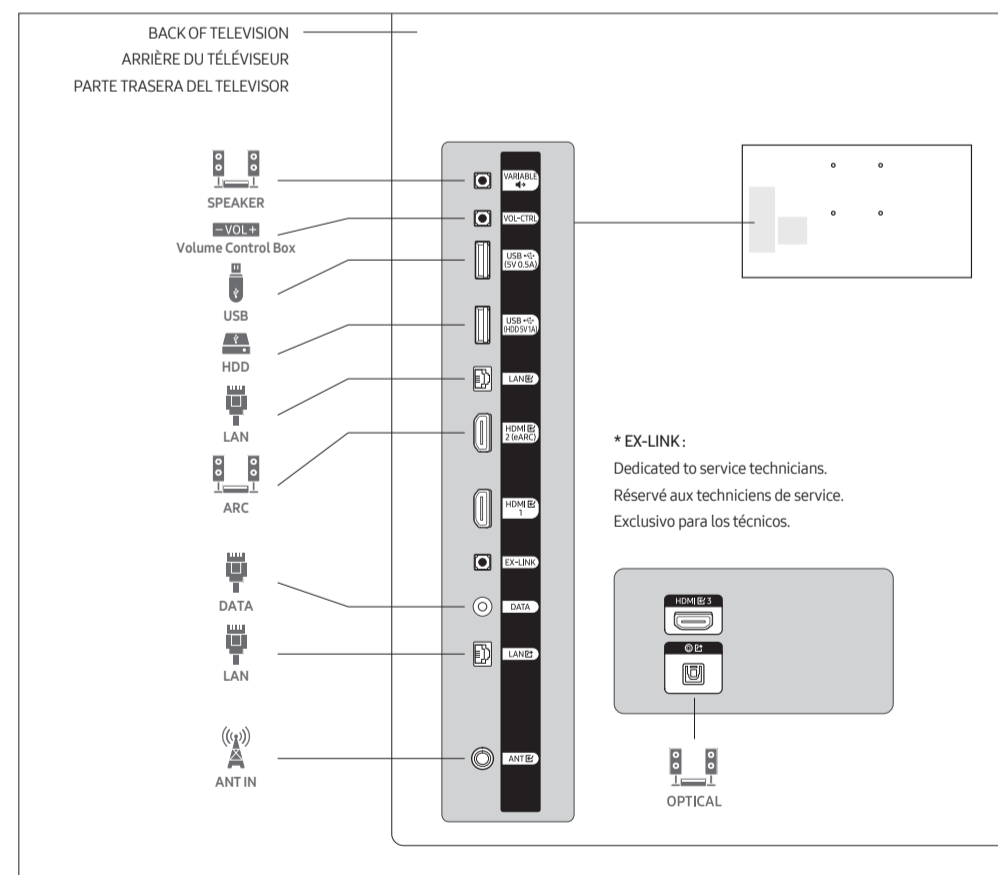


- Insert the Stands into the slot on the bottom of the TV.
- Slide and assemble it to the end line in the direction of arrow.



- NOTE
- Make sure to distinguish between the front and back of each component when assembling them.
 - Make sure that at least two persons lift and move the TV.

4. Viewing the Connection Panel

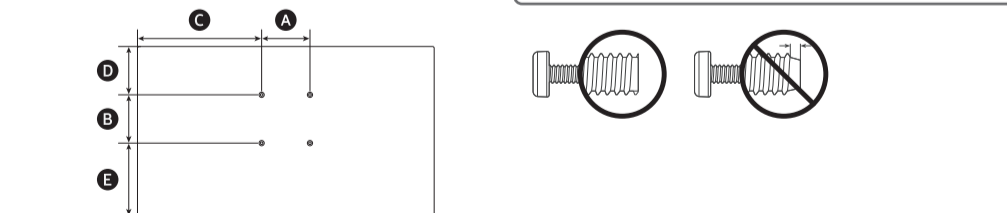
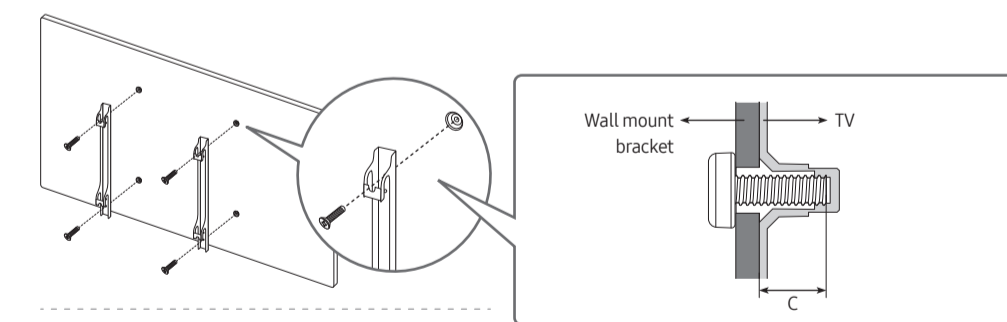


* EX-LINK:
Dedicated to service technicians.
Réservé aux techniciens de service.
Exclusivo para los técnicos.

5. Wall Mount Kit Specifications (VESA)

Install your wall mount on a solid wall, perpendicular to the floor. When attaching to other building materials, please contact your nearest dealer. If installing on a ceiling or slanted wall, TV may fall and result in severe personal injury.

- Standard dimensions for wall mount kits are shown in the table below.
- Samsung wall mount kits contain a detailed installation manual. All parts necessary for assembly are provided.
- Do not install your wall mount kit while your TV is turned on. This may result in personal injury from electric shock.
- Do not use screws that are longer than the standard dimension or do not comply with the VESA standard screw specifications. Screws that are too long may cause damage to the inside of the TV set.
- For wall mounts that do not comply with the VESA standard screw specifications, the length of the screws may differ depending on the wall mount specifications.
- Do not fasten the screws too firmly. This may damage the product or cause the product to fall, leading to personal injury. Samsung is not liable for these kinds of accidents.
- Samsung is not liable for product damage or personal injury when a non-VESA or non-specified wall mount is used or when the consumer fails to follow the product installation instructions.
- Do not mount the TV at more than a 15 degree tilt.
- Always have two people mount the TV onto a wall.



TV size in inches	VESA screw hole specs (A * B) in millimeters	C (inches)	D (inches)	E (inches)	C (mm)	Standard Screw	Quantity
43	200 x 200	15.0	7.4	6.6	11-13	M8	4
50		18.0	8.1	9.3			
55		20.2	9.3	10.6			
65	400 x 300	20.6	10.3	10.5			
75	400 x 400	25.0	10.1	11.8			

6. Specifications

Model Name	HG43Q60A	HG50Q60A	HG55Q60A
Display Resolution	3840 x 2160	3840 x 2160	3840 x 2160
Screen Size Diagonal Measured Diagonally	43" Class 42.5 inches	50" Class 49.5 inches	55" Class 54.6 inches
Sound (Output)	20 W	20 W	20 W
Dimensions (W x H x D) Body	38.0 x 22.0 x 1.0 inches (965.5 x 559.8 x 25.7 mm)	44.0 x 25.4 x 1.0 inches (1118.3 x 644.5 x 25.7 mm)	48.5 x 27.9 x 1.0 inches (1232.1 x 708.8 x 25.7 mm)
With Stand	38.0 x 23.6 x 8.1 inches (965.5 x 599.8 x 205.6 mm)	44.0 x 26.9 x 9.0 inches (1118.3 x 683.6 x 228.8 mm)	48.5 x 29.4 x 9.0 inches (1232.1 x 747.8 x 228.8 mm)
Weight Without Stand	18.5 lbs (8.4 kg)	25.4 lbs (11.5 kg)	34.2 lbs (15.5 kg)
With Stand	19.6 lbs (8.9 kg)	26.9 lbs (12.2 kg)	35.7 lbs (16.2 kg)
Model Name	HG65Q60A		HG75Q60A
Display Resolution	3840 x 2160		3840 x 2160
Screen Size Diagonal Measured Diagonally	65" Class 64.5 inches		75" Class 74.5 inches
Sound (Output)	20 W		20 W
Dimensions (W x H x D) Body	57.1 x 32.7 x 1.0 inches (1450.9 x 831.8 x 25.7 mm)		66.0 x 37.8 x 1.0 inches (1676.7 x 960.3 x 26.6 mm)
With Stand	57.1 x 34.3 x 11.1 inches (1450.9 x 871.0 x 281.8 mm)		66.0 x 39.6 x 13.4 inches (1676.7 x 1005.5 x 340.4 mm)
Weight Without Stand	46.1 lbs (20.9 kg)		70.8 lbs (32.1 kg)
With Stand	48.1 lbs (21.8 kg)		73.4 lbs (33.3 kg)

Environmental Considerations

Operating Temperature	50 °F to 104 °F (10 °C to 40 °C)
Operating Humidity	10 % to 80 %, non-condensing
Storage Temperature	-4 °F to 113 °F (-20 °C to 45 °C)
Storage Humidity	5 % to 95 %, non-condensing

- Design and specifications are subject to change without prior notice.
- This device is a Class B digital apparatus.
- For information about the power supply, and more information about power consumption, refer to the information on the label attached to the product.
 - On most models, the label is attached to the back of the TV. (On some models, the label is inside the cover terminal.)
- Your TV and its accessories may look different than the product images presented in this manual, depending on the model.
- All drawings are not necessarily to scale. Some dimensions are subject to change without prior notice. Refer to the dimensions before installing your TV. Not responsible for typographical or printed errors.

State of California Proposition 65 Warning

WARNING: Cancer and Reproductive Harm - www.P65Warnings.ca.gov

7. Licenses



The terms HDMI and HDMI High-Definition Multimedia Interface, and the HDMI Logo are trademarks or registered trademarks of HDMI Licensing Administrator, Inc. in the United States and other countries.

Open Source License Notice
Open Source used in this product can be found on the following webpage. (<https://opensource.samsung.com>)

